

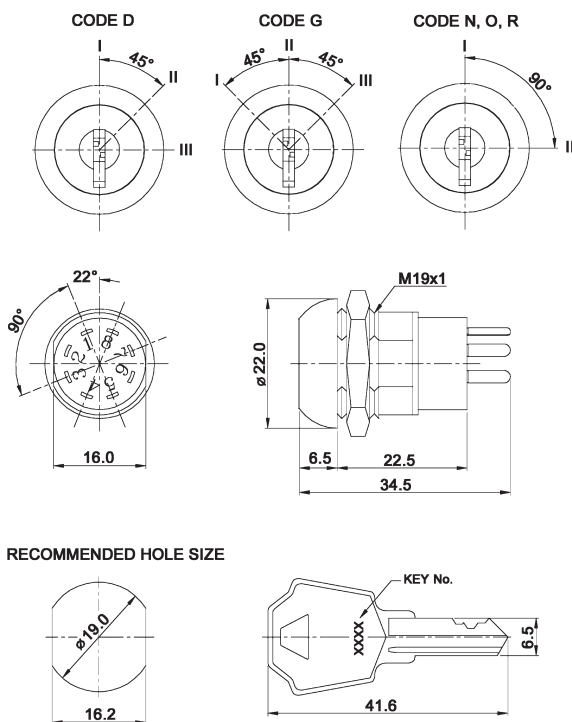


Key Switches

Specifications:

Contact rating:	250 V AC, 2 A; 125 V AC, 4 A
Contact resistance:	< 50 mΩ
Insulation resistance:	> 500 MΩ
Dielectric strength:	1500 V, 50 Hz for the duration of 1 minute
Operating temperature:	-20 °C to +70 °C
Mechanical life:	minimum 10 000 steps
Material:	Case: zinc alloy, chromium-plated Contacts and Terminals: gold-plated Key: steel, nickel-plated
Mounting:	single-hole mounting, 19 mm diameter

Models:	Switching functions	Key removable in pos
MRK 216 D	double pole, on – on – on	III
MRK 216 G	single-pole, on – on – on	II
MRK 216 N	single pole, on – on	I
MRK 216 O	double pole, on – on	I
MRK 216 R	single pole, on – on	I, II
MRK 216	MRK 216 N with wires/connector	I



Switches are always supplied with 2 keys.